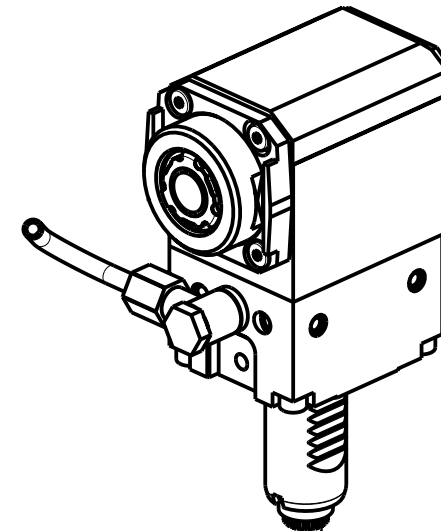
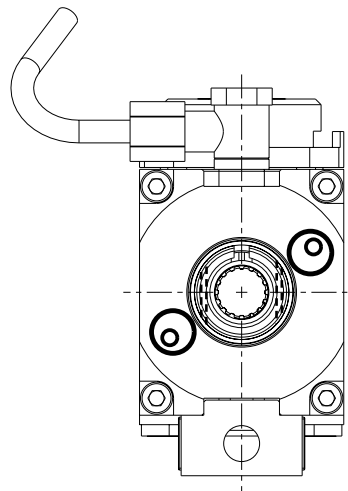


versione universale
universal version
universal version



DIN 5480

- Chiave inclusa
- Key included
- Schlüssel inbegriffen

CHIAVI NON INCLUSE
Keys not included
Schlüssel nicht einbegriffen

Cod. MT	Mandrino Spindle Spindel	I (n1:n2)	RPM max n2	Coppia Max Max Torque Max Drehmoment M2 (Nm)	Lubr.esterna Ext. coolant Aussenkuehlung	Lav. secco Dry-run Trocken Bearb.	CHUB22	CHTAER20ZC	OKU0290009
SAU04.02320	ERA20	1:1	6000	25	X	X			

SAUTER
VDI 25

MODULO MOTORIZZATO RADIALE VDI25 DIN 5480
Radial driven tool VDI25 DIN 5480
Radial angetriebenes Werkzeug VDI25 DIN 5480

M.T. srl

Via Casino Albini 480
Tel. 0541/956034-957884
Fax 0541/956341
47842 S. GIOVANNI IN M. (RN)
e-mail: mtma@mtmarchetti.com
http://www.mtmarchetti.com



SAU018-1-00

Subject to change without notice.

03/2026