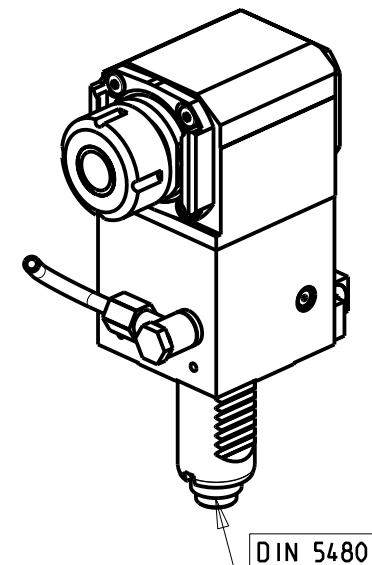
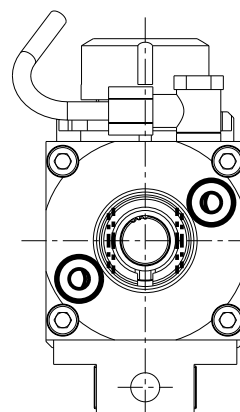
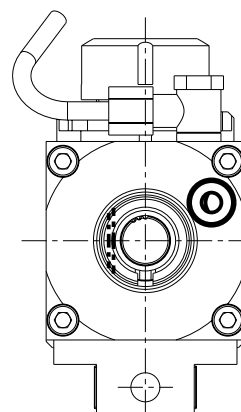
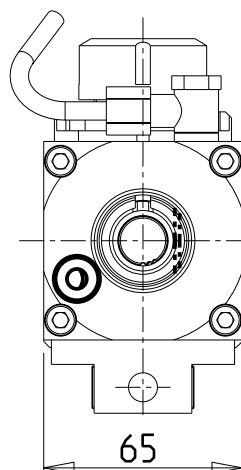


versione dx
right version
version rechts

versione sx
left version
version links

versione universale
universal version
universal version



- Chiave inclusa
- Key included
- Schlüssel inbegriffen

Cod. MT			Mandrino Spindle Spindel	I (n1:n2)	RPM max n2	Coppia Max Max Torque Max Drehmoment M2 (Nm)	Lubrificazione int. Coolant through Innenkuehlung Pmax (bar)	Lubr.esterna Ext. coolant Aussenkuehlung	ØD	L	A	A1	A2	B	CHIAVI NON INCLUDE Keys not included Schlüssel nicht inbegriffen	
versione dx right version version rechts	versione sx left version version links	versione universale universal version universal version														
SAU0160125	SAU0161125	SAU0162125	ER25	1:1	6000	32	-	X	-	-	66.2	-	-	38	OKU0290009	CHSTER25
SAU0160225	SAU0161225	SAU0162225	ER25	1:1	6000	32	100 (diag. 2)	X	-	-	66.2	-	-	48	OKU0290009	CHSTER25
SAU0160316	SAU0161316	SAU0162316	WELDON16	1:1	6000	32	-	X	-	-	-	-	54.5	38	-	-
SAU0160416	SAU0161416	SAU0162416	Ø16x17	1:1	6000	32	-	X	16	17	-	45	-	38	OKU0290009	CH_VTCROCE_M08
SAU0160422	SAU0161422	SAU0162422	Ø22x19	1:1	6000	32	-	X	22	19	-	47	-	38	OKU0290009	CH_VTCROCE_M10

SAUTER
VDI 30

MODULO MOTORIZZATO RADIALE VDI30 DIN 5480 H=100mm
Radial driven tool VDI30 DIN 5480 H=100mm
Radial angetriebenes Werkzeug VDI30 DIN 5480 H=100mm

Subject to change without notice.

M.T. srl

Via Casino Albini 480
Tel. 0541/956034-957884
Fax 0541/956341
47842 S. GIOVANNI IN M. (RN)
e-mail: mtma@mtmarchetti.com
http://www.mtmarchetti.com



SAU018-2-10