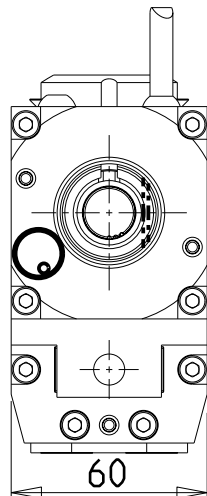
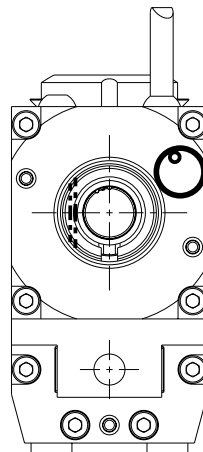


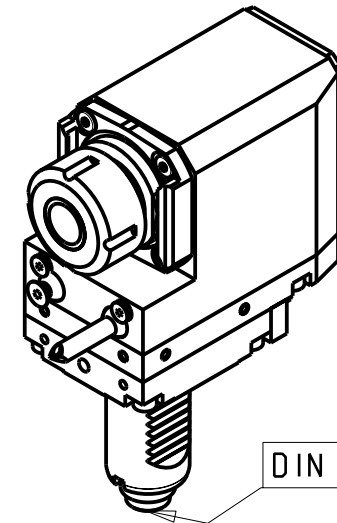
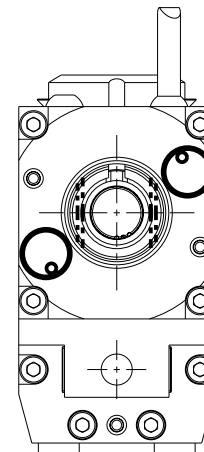
versione dx  
right version  
version rechts



versione sx  
left version  
version links



versione universale  
universal version  
universal version



DIN 5480

- Chiave inclusa
- Key included
- Schlüssel inbegriffen

Cod. MT			Mandrino Spindle Spindel	I (n1:n2)	RPM max n2	Coppia Max Max Torque Max Drehmoment M2 (Nm)	Lubrificazione int. Coolant through Innenkuehlung Pmax (bar)	Lubr.esterna Ext. coolant Aussenkuehlung	A1	A2	B	CHIAVI NON INCLUDE Keys not included Schlüssel nicht einbegriffen		
versione dx right version version rechts	versione sx left version version links	versione universale universal version universal version												
SAU0090120	SAU0091120	SAU0092120	ER20	1:1	6000	32	-	X	41.16	-	73.5	-	CHSTER20	OKU0290009
SAU0090220	SAU0091220	SAU0092220	ER20	1:1	6000	32	100 (diag. 2)	X	41.16	-	83.5	-	CHSTER20	OKU0290009
SAU0090320	SAU0091320	SAU0092320	ERA20	1:1	6000	32	-	X	24.5	-	73.5	CHUB22	CHTAER20ZC	OKU0290009
SAU0090420	SAU0091420	SAU0092420	ERA20	1:1	6000	32	100 (diag. 2)	X	24.5	-	83.5	CHUB22	CHTAER20ZC	OKU0290009
SAU0090125	SAU0091125	SAU0092125	ER25	1:1	6000	32	-	X	42.16	-	73.5	-	CHSTER25	OKU0290009
SAU0090225	SAU0091225	SAU0092225	ER25	1:1	6000	32	100 (diag. 2)	X	42.16	-	83.5	-	CHSTER25	OKU0290009
SAU0090325	SAU0091325	SAU0092325	ERA25	1:1	6000	32	-	X	28.5	-	73.5	CHUB27	CHTAER25ZC	OKU0290009
SAU0090425	SAU0091425	SAU0092425	ERA25	1:1	6000	32	100 (diag. 2)	X	28.5	-	83.5	CHUB27	CHTAER25ZC	OKU0290009
SAU0090516	SAU0091516	SAU0092516	WELDON16	1:1	6000	32	-	X	-	27.5	73.5	-	-	-

SAUTER  
VDI 30

MODULO MOTORIZZATO RADIALE ARRETRATO VDI30 DIN 5480 H=75mm  
Radial rear-set driven tool VDI30 DIN 5480 H=75mm  
Radial angetriebenes Werkzeug zurueckversetzt VDI30 DIN 5480 H=75mm

Subject to change without notice.

**M.T. srl**

Via Casino Albini 480  
Tel. 0541/956034-957884  
Fax 0541/956341  
47842 S. GIOVANNI IN M. (RN)  
e-mail: mtma@mtmarchetti.com  
http://www.mtmarchetti.com



SAU018-2-60