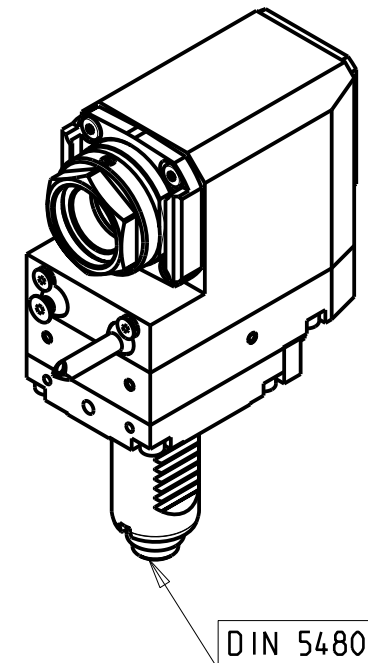
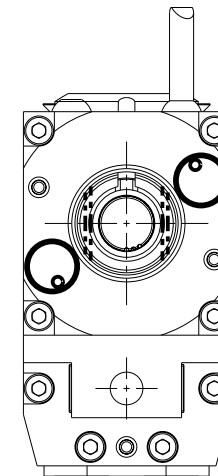
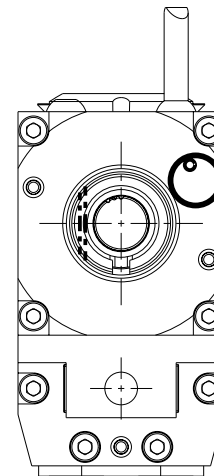
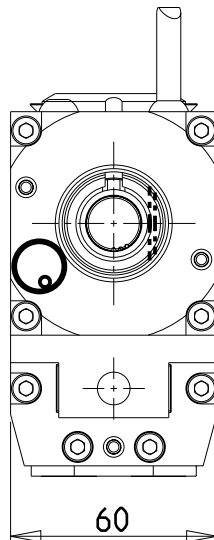


versione dx
right version
version rechts

versione sx
left version
version links

versione universale
universal version
universal version



DIN 5480

PER PORTAUTENSILI MODULARI MTSK-32 VEDI PAG. TBL300-1-32
FOR MTSK-32 QUIK CHANGE TOOLHOLDERS CLAMPINGS SEE PAGE TBL300-1-32
FUER MTSK-32 MODULARE WERKZEUGAUFNAHMEN SIEHE SEITE TBL300-1-32

Cod. MT			Mandrino Spindle Spindel	I (n1:n2)	RPM max n2	Coppia Max Max Torque Max Drehmoment M2 (Nm)	Lubrificazione int. Coolant through Innenkuehlung Pmax (bar)	Lubr.esterna Ext. coolant Aussenkuehlung	Lav. secco Dry-run Trocken Bearb.	B	CHIAVI NON INCLUSE Keys not included Schlüssel nicht einbegriffen	
versione dx right version version rechts	versione sx left version version links	versione universale universal version universal version									C HUB36	OKU0290009
SAU0650132	SAU0651132	SAU0652132	MTSK-32	1:1	6000	32	-	X	X	73.5	C HUB36	OKU0290009
SAU0650232	SAU0651232	SAU0652232	MTSK-32	1:1	6000	32	100 (diag. 2)	X	X	83.5	C HUB36	OKU0290009

- Chiave inclusa
- Key included
- Schlüssel inbegriffen

SAUTER
VDI 30

MODULO MOTORIZZATO RADIALE ARRETRATO MTSK VDI30 DIN 5480 H=85mm
Radial MTSK rear-set driven tool VDI30 DIN 5480 H=85mm
Radial MTSK angetriebenes Werkzeug zurueckversetzt VDI30 DIN 5480 H=85mm

M.T. srl

Via Casino Albini 480
Tel. 0541/956034-957884
Fax 0541/956341
47842 S. GIOVANNI IN M. (RN)
e-mail: mtma@mtmarchetti.com
http://www.mtmarchetti.com



SAU018-2-70-K

Subject to change without notice.

03/2026