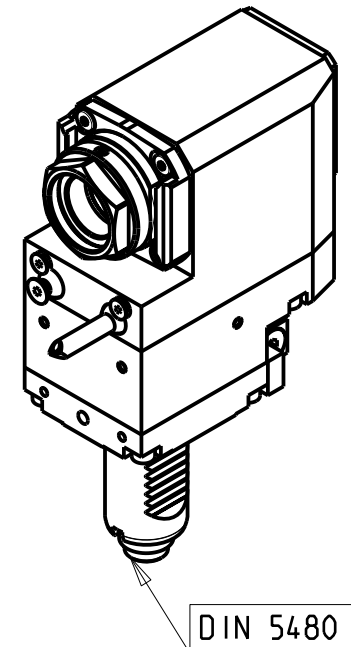
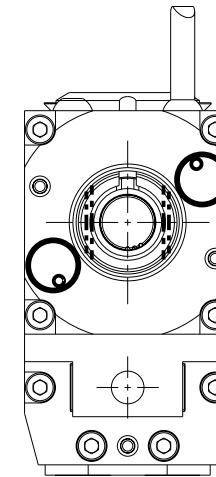
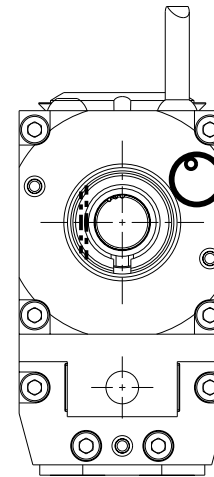
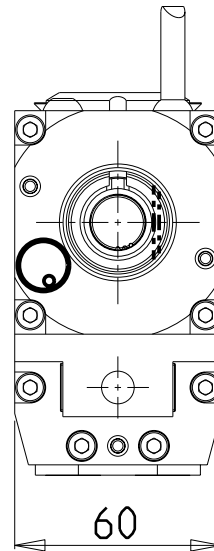


versione dx  
right version  
version rechts

versione sx  
left version  
version links

versione universale  
universal version  
universal version



DIN 5480

PER PORTAUTENSILI MODULARI MTSK-32 VEDI PAG. TBL300-1-32  
FOR MTSK-32 QUIK CHANGE TOOLHOLDERS CLAMPINGS SEE PAGE TBL300-1-32  
FUER MTSK-32 MODULARE WERKZEUGAUFNAHMEN SIEHE SEITE TBL300-1-32

| Cod. MT  |  |   | Mandrino<br>Spindle<br>Spindel | I<br>(n1:n2) | RPM<br>max<br>n2 | Coppia Max<br>Max Torque<br>Max Drehmoment<br>M2 (Nm) | Lubrificazione int.<br>Coolant through<br>Innenkuehlung<br>Pmax (bar) | Lubr.esterna<br>Ext. coolant<br>Aussenkuehlung | Lav.<br>secco<br>Dry-run<br>Trocken<br>Bearb. | B    | CHIAVI NON INCLUDE<br>Keys not included<br>Schlüssel nicht einbegriffen |              |
|--|--|---|--------------------------------|--------------|------------------|---|---|--|---|------|---|--------------|
| versione dx<br>right version<br>version rechts | versione sx<br>left version<br>version links | versione universale<br>universal version<br>universal version |                                |              |                  |   |   |  |   |      | CHUB36  | OKU0290009 * |
| SAU0660132                                     | SAU0661132                                   | SAU0662132  | MTSK-32                        | 1:1          | 6000             | 32  | -   | X  | X   | 73.5 | CHUB36  | OKU0290009 * |
| SAU0660232                                     | SAU0661232                                   | SAU0662232  | MTSK-32                        | 1:1          | 6000             | 32  | 100 (diag. 2)   | X  | X   | 83.5 | CHUB36  | OKU0290009 * |

- Chiave inclusa
- Key included
- Schlüssel einbegriffen

SAUTER  
VDI 30  
MODULO MOTORIZZATO RADIALE ARRETRATO MTSK VDI30 DIN 5480 H=100mm  
Radial MTSK rear-set driven tool VDI30 DIN 5480 H=100mm  
Radial MTSK angetriebenes Werkzeug zurueckversetzt VDI30 DIN 5480 H=100mm

**M.T. srl**  
Via Casino Albini 480  
Tel. 0541/956034-957884  
Fax 0541/956341  
47842 S. GIOVANNI IN M. (RN)  
e-mail: mtma@mtmarchetti.com  
http://www.mtmarchetti.com



SAU018-2-80-K

Subject to change without notice.