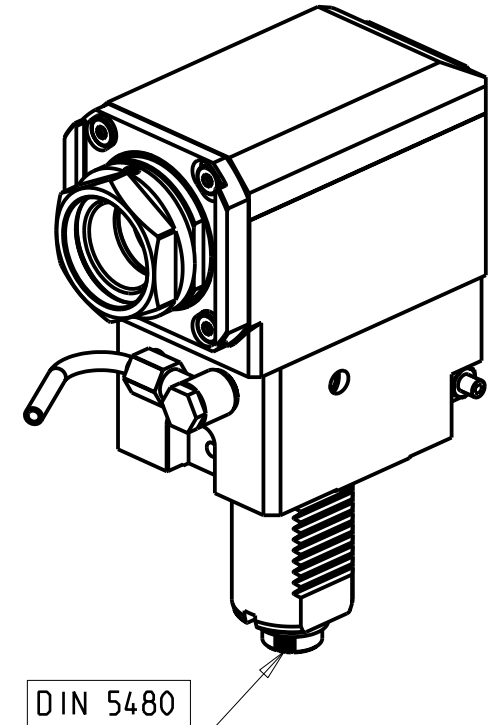
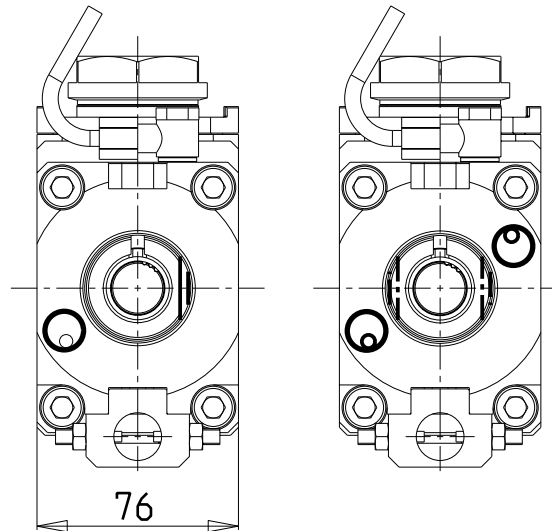


versione dx
right version
version rechts

versione universale
universal version
universal version



DIN 5480

PER PORTAUTENSILI MODULARI MTSK-40 VEDI PAG. TBL300-1-40
FOR MTSK-40 QUICK CHANGE TOOLHOLDERS CLAMPINGS SEE PAGE TBL300-1-40
FUER MTSK-40 MODULARE WERKZEUGAUFNAHMEN SIEHE SEITE TBL300-1-40

Cod. MT		Mandrino Spindle Spindel	I (n1:n2)	RPM max n2	Coppia Max Max Torque Max Drehmoment M2 (Nm)	Lubrificazione int. Coolant through Innenkuehlung Pmax (bar)	Lubr.esterna Ext. coolant Aussenkuehlung	Lav. secco Dry-run Trocken Bearb.	B	CHIAVI NON INCLUSE Keys not included Schluessel nicht einbegriffen	
versione dx right version version rechts	versione universale universal version universal version									CHUB46	OKU0650004 *
SAU0420140	SAU0422140	MTSK-40	1:1	6000	70	-	X	X	58.5	CHUB46	OKU0650004 *
SAU0420240	SAU0422240	MTSK-40	1:1	6000	70	100 (diag. 2)	X	X	69.5	CHUB46	OKU0650004 *

- Chiave inclusa
- Key included
- Schluessel einbegriffen

SAUTER
VDI 40

MODULO MOTORIZZATO RADIALE MTSK VDI40 DIN 5480 H=100mm
Radial MTSK driven tool VDI40 DIN 5480 H=100mm
Radial MTSK angetriebenes Werkzeug VDI40 DIN 5480 H=100mm

M.T. srl

Via Casino Albini 480
Tel. 0541/956034-957884
Fax 0541/956341
47842 S. GIOVANNI IN M. (RN)
e-mail: mtma@mtmarchetti.com
http://www.mtmarchetti.com



SAU018-3-10-K

Subject to change without notice.

03/2026