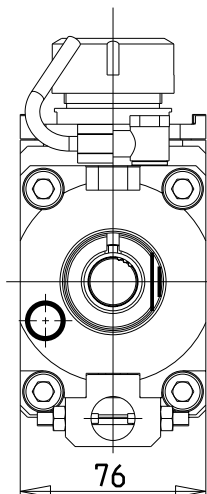
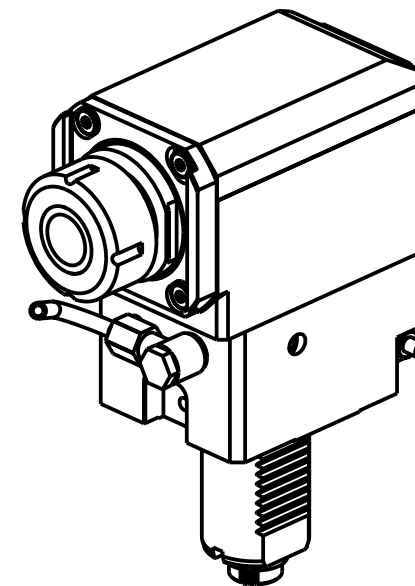
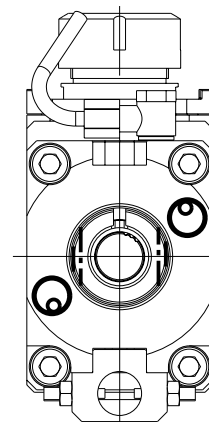


versione dx  
right version  
version rechts



versione universale  
universal version  
universal version



DIN 5480

- Chiave inclusa
- Key included
- Schluessel inbegriffen

| Cod. MT  |   | Mandrino<br>Spindle<br>Spindel | I<br>(n1:n2) | RPM<br>max<br>n2 | Coppia Max<br>Max Torque<br>Max Drehmoment<br>M2 (Nm) | Lubrificazione int.<br>Coolant through<br>Innenkuehlung<br>Pmax (bar) | Lubr.esterna<br>Ext. coolant<br>Aussenkuehlung | A     | A1   | B    | D  | L  | CHIAVI NON INCLUDE<br>Keys not included<br>Schluessel nicht einbegriffen |                |
|--|---|--------------------------------|--------------|------------------|---|---|--|-------|------|------|----|----|--|----------------|
| versione dx<br>right version<br>version rechts | versione universale<br>universal version<br>universal version |                                |              |                  |   |   |  |       |      |      |    |    |  |                |
| SAU0820132                                     | SAU0822132  | ER32                           | 1:1          | 6000             | 70  | -   | X  | 99.7  | -    | 58.5 | -  | -  | OKU0650004   | CHSTER32       |
| SAU0820232                                     | SAU0822232  | ER32                           | 1:1          | 6000             | 70  | 100 (diag. 2)   | X  | 99.7  | -    | 69.5 | -  | -  | OKU0650004   | CHSTER32       |
| SAU0820140                                     | SAU0822140  | ER40                           | 1:1          | 6000             | 70  | -   | X  | 103.7 | -    | 58.5 | -  | -  | OKU0650004   | CHSTER40       |
| SAU0820240                                     | SAU0822240  | ER40                           | 1:1          | 6000             | 70  | 100 (diag. 2)   | X  | 103.7 | -    | 69.5 | -  | -  | OKU0650004   | CHSTER40       |
| 213SAU_R22_40D00                               | 213SAU_R22_40D02  | Ø22x19                         | 1:1          | 6000             | 70  | -   | X  | -     | 78.5 | 58.5 | 22 | 19 | CHUB41   | CH_VTCROCE_M10 |
| 213SAU_R27_40D00                               | 213SAU_R27_40D02  | Ø27x21                         | 1:1          | 6000             | 70  | -   | X  | -     | 78.5 | 58.5 | 27 | 21 | CHUB41   | CH_VTCROCE_M12 |

SAUTER  
VDI 40

MODULO MOTORIZZATO RADIALE VDI40 DIN 5480 H=100mm  
Radial driven tool VDI40 DIN 5480 H=100mm  
Radial angetriebenes Werkzeug VDI40 DIN 5480 H=100mm

Subject to change without notice.

**M.T. srl**

Via Casino Albini 480  
Tel. 0541/956034-957884  
Fax 0541/956341  
47842 S. GIOVANNI IN M. (RN)  
e-mail: mtma@mtmarchetti.com  
http://www.mtmarchetti.com



SAU018-3-10