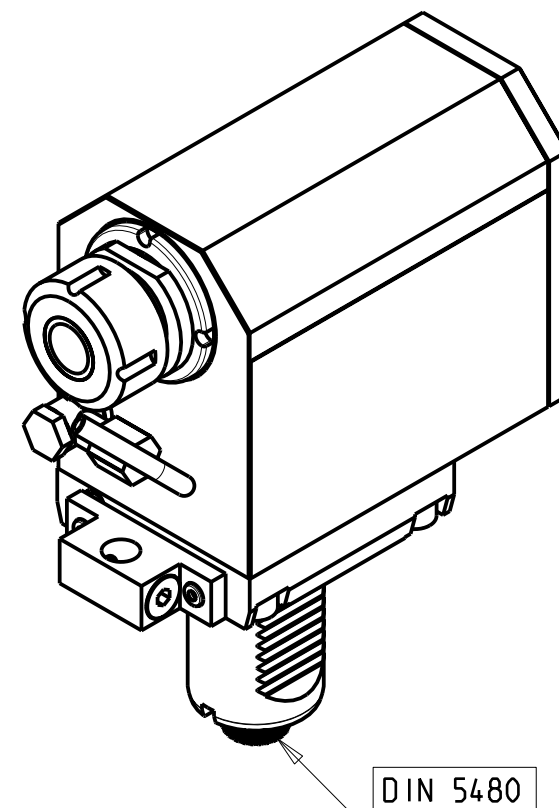
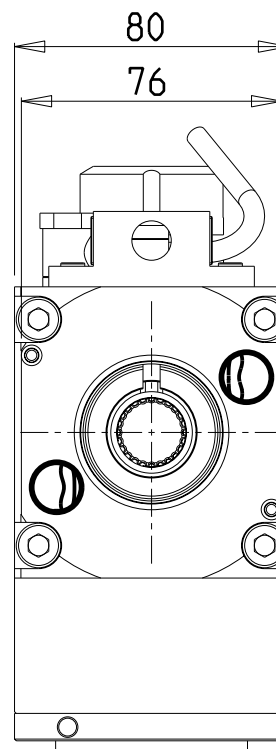


versione universale
universal version
universal version



DIN 5480

Cod. MT	Mandrino Spindle Spindel	i (n1:n2)	RPM max n2	Coppia Max Max Torque Max Drehmoment M2 (Nm)	Lubrificazione int. Coolant through Innenkuehlung Pmax (bar)	Lubr.esterna Ext. coolant Aussenkuehlung	Lav. secco Dry-run Trocken Bearb.	B	CHIAVI NON INCLUSE Keys not included Schlüssel nicht einbegriffen	
SAU0310125	ER25	1:3	12000	40	-	X	X	93.5	CHUB36	CHSTER25
SAU0310225	ER25	1:3	12000	40	100 (diag. 2)	X	X	103.5	CHUB36	CHSTER25

SAUTER
VDI 40

MODULO MOTORIZZATO RADIALE MOLTIPLICATO I=1:3 VDI40 DIN 5480
Radial geared-up I=1:3 driven tool VDI40 DIN 5480
Radial angetriebenes Werkzeug uebersetzt I=1:3 VDI40 DIN 5480

Subject to change without notice.

M.T. srl

Via Casino Albini 480
Tel. 0541/956034-957884
Fax 0541/956341
47842 S. GIOVANNI IN M. (RN)
e-mail: mtma@mtmarchetti.com
http://www.mtmarchetti.com



SAU018-3-14

03/2026