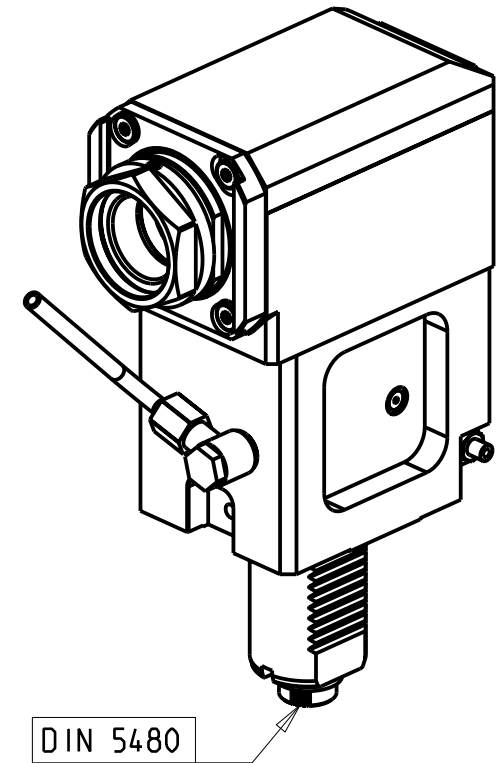
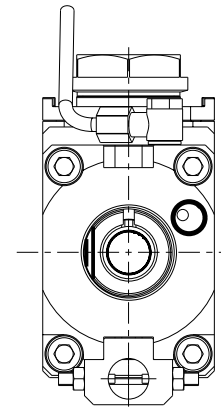
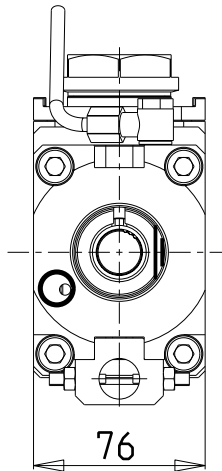


versione dx  
right version  
version rechts

versione sx  
left version  
version links



DIN 5480

PER PORTAUTENSILI MODULARI MTSK-40 VEDI PAG. TBL300-1-40  
FOR MTSK-40 QUICK CHANGE TOOLHOLDERS CLAMPINGS SEE PAGE TBL300-1-40  
FUER MTSK-40 MODULARE WERKZEUGAUFNAHMEN SIEHE SEITE TBL300-1-40

Cod. MT		Mandrino Spindle Spindel	I (n1:n2)	RPM max n2	Coppia Max Max Torque Max Drehmoment M2 [Nm]	Lubrificazione int. Coolant through Innenkuehlung Pmax [bar]	Lubr.esterna Ext. coolant Aussenkuehlung	Lav. secco Dry-run Trocken Bearb.	B	CHIAVI NON INCLUSE Keys not included Schluessel nicht einbegriffen	
versione dx right version version rechts	versione sx left version version links										
SAU0430140	SAU0431140	MTSK-40	1:1	6000	70	-	X	X	58.5	CHUB46	OKU0650004 •
SAU0430240	SAU0431240	MTSK-40	1:1	6000	70	100 (diag. 2)	X	X	69.5	CHUB46	OKU0650004 •

• Chiave inclusa
• Key included
• Schluessel inbegriffen

SAUTER  
VDI 40

MODULO MOTORIZZATO RADIALE MTSK VDI40 DIN 5480 H=130mm  
Radial MTSK driven tool VDI40 DIN 5480 H=130mm  
Radial MTSK angetriebenes Werkzeug VDI40 DIN 5480 H=130mm

**M.T. srl**

Via Casino Albini 480  
Tel. 0541/956034-957884  
Fax 0541/956341  
47842 S. GIOVANNI IN M. (RN)  
e-mail: mtma@mtmarchetti.com  
http://www.mtmarchetti.com



SAU018-3-20-K

Subject to change without notice.

03/2026