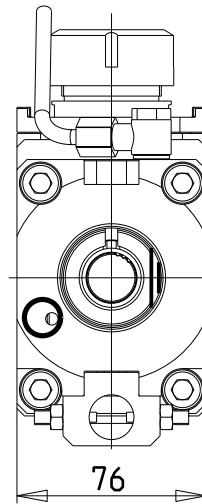
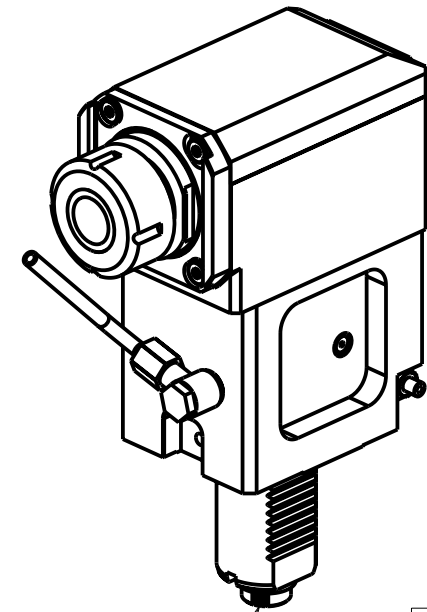
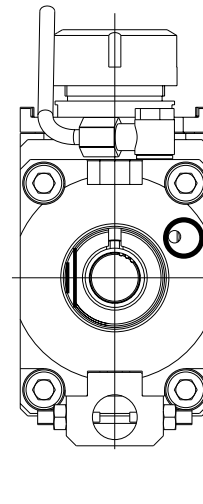


versione dx  
right version  
version rechts



versione sx  
left version  
version links



DIN 5480

- Chiave inclusa
- Key included
- Schlüssel inbegriffen

Cod. MT		Mandrino Spindle Spindel	I (n1:n2)	RPM max n2	Coppia Max Max Torque Max Drehmoment M2 (Nm)	Lubrificazione int. Coolant through Innenkuehlung Pmax (bar)	Lubr.esterna Ext. coolant Aussenkuehlung	Lav. secco Dry-run Troocken Bearb.	A	A1	B	D	L	CHIAVI NON INCLUDE Keys not included Schlüssel nicht einbegriffen	
versione dx right version version rechts	versione sx left version version links														
SAU0830132	SAU0831132	ER32	1:1	6000	70	-	X	X	99.7	-	58.5	-	-	OKU0650004	CHSTER32
SAU0830232	SAU0831232	ER32	1:1	6000	70	100 (diag. 2)	X	X	99.7	-	69.5	-	-	OKU0650004	CHSTER32
SAU0830140	SAU0831140	ER40	1:1	6000	70	-	X	X	103.7	-	58.5	-	-	OKU0650004	CHSTER40
SAU0830240	SAU0831240	ER40	1:1	6000	70	100 (diag. 2)	X	X	103.7	-	69.5	-	-	OKU0650004	CHSTER40
SAU0830522	SAU0831522	Ø22x19	1:1	6000	70	-	X	X	-	78.5	58.5	22	19	CHUB41	CH_VTCROCE_M10
SAU0830527	SAU0831527	Ø27x21	1:1	6000	70	-	X	X	-	78.5	58.5	27	21	CHUB41	CH_VTCROCE_M12

SAUTER  
VDI 40

MODULO MOTORIZZATO RADIALE VDI40 DIN 5480 H=130mm  
Radial driven tool VDI40 DIN 5480 H=130mm  
Radial angetriebenes Werkzeug VDI40 DIN 5480 H=130mm

Subject to change without notice.

**M.T. srl**

Via Casino Albini 480  
Tel. 0541/956034-957884  
Fax 0541/956341  
47842 S. GIOVANNI IN M. (RN)  
e-mail: mtma@mtmarchetti.com  
http://www.mtmarchetti.com



SAU018-3-20