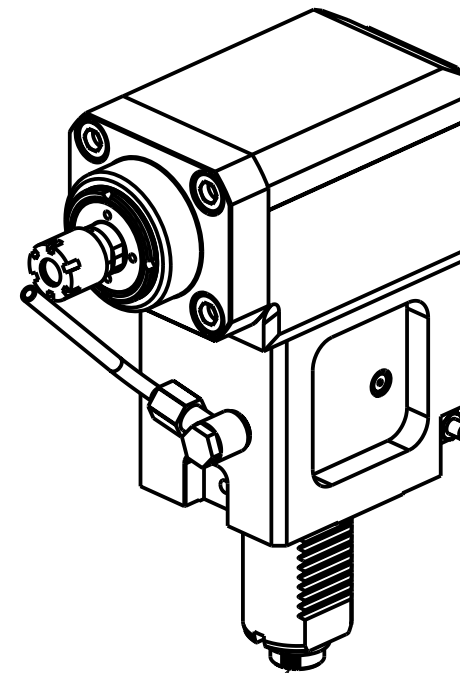
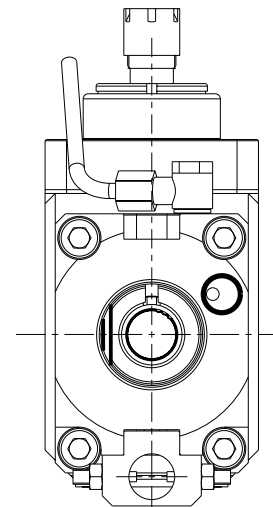
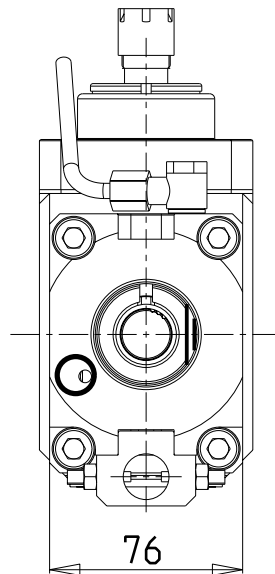


versione dx
right version
version rechts

versione sx
left version
version links



DIN 5480

Cod. MT		Mandrino Spindle Spindel	i (n1:n2)	RPM max n2	Coppia Max Max Torque Max Drehmoment M2 (Nm)	Lubr.esterna Ext. coolant Aussenkuehlung	Lav. secco Dry-run Trocken Bearb.	CHIAVI INCLUSE Keys included Schluessel einbegriffen	
versione dx right version version rechts	versione sx left version version links							CHUB17	CHMNER16
SAU0600016	SAU0601016	ER16	1:3	18000	10	X	-	CHUB17	CHMNER16

SAUTER
VDI 40

MODULO MOTORIZZATO RADIALE MOLTIPLICATO I=1:3 VDI40 DIN 5480 H=130mm
Radial geared-up I=1:3 driven tool VDI40 DIN 5480 H=130mm
Radial angetriebenes Werkzeug uebersetzt I=1:3 VDI40 DIN 5480 H=130mm

Subject to change without notice.

M.T. srl

Via Casino Albini 480
Tel. 0541/956034-957884
Fax 0541/956341
47842 S. GIOVANNI IN M. (RN)
e-mail: mtma@tmarchetti.com
http://www.tmmarchetti.com



SAU018-3-24

03/2026