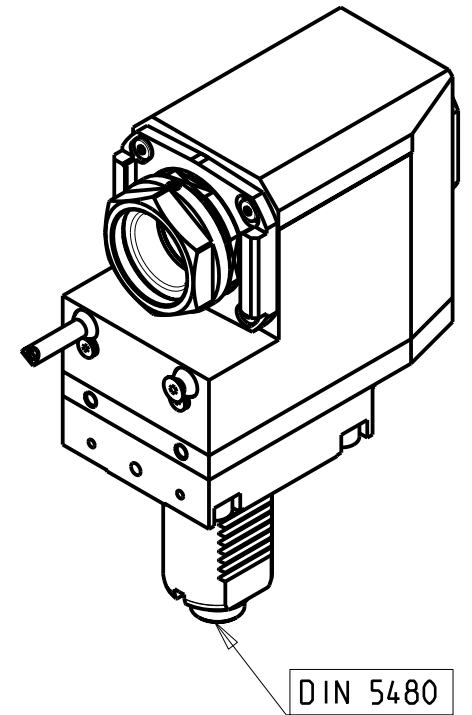
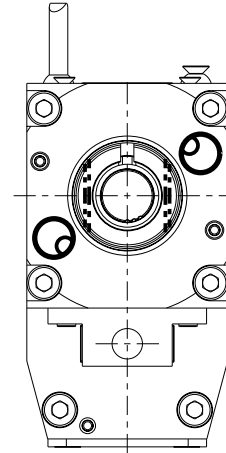
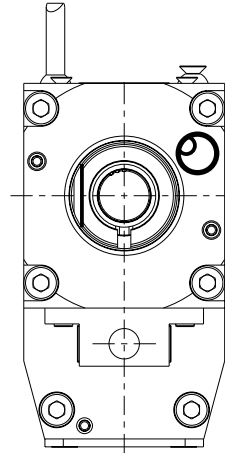
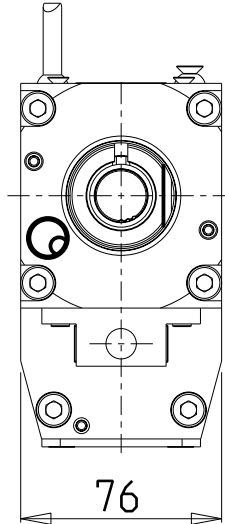


versione dx
right version
version rechts

versione sx
left version
version links

versione universale
universal version
universal version



DIN 5480

PER PORTAUTENSILI MODULARI MTSK-40 VEDI PAG. TBL300-1-40
 FOR MTSK-40 QUIK CHANGE TOOLHOLDERS CLAMPINGS SEE PAGE TBL300-1-40
 FUER MTSK-40 MODULARE WERKZEUGAUFNAHMEN SIEHE SEITE TBL300-1-40

Cod. MT			Mandrino Spindle Spindel	l (n1:n2)	RPM max n2	Coppia Max Max Torque Max Drehmoment M2 (Nm)	Lubrificazione int. Coolant through Innenkuehlung Pmax (bar)	Lubr.esterna Ext. coolant Aussenkuehlung	Lav. secco Dry-run Trocken Bearb.	B	CHIAVI NON INCLUDE Keys not included Schlüssel nicht einbegriffen	
versione dx right version version rechts	versione sx left version version links	versione universale universal version universal version									CHUB46	MNZO410005 •
SAU0710140	SAU0711140	SAU0712140	MTSK-40	1:1	6000	70	-	X	X	95	CHUB46	MNZO410005 •
SAU0710240	SAU0711240	SAU0712240	MTSK-40	1:1	6000	70	70	X	-	108.5	CHUB46	MNZO410005 •

- Chiave inclusa
- Key included
- Schlüssel einbegriffen

SAUTER
 VDI 40
 MODULO MOTORIZZATO RADIALE ARRETRATO MTSK VDI40 DIN 5480 H=100mm
 Radial MTSK rear-set driven tool VDI40 DIN 5480 H=100mm
 Radial MTSK angetriebenes Werkzeug zurueckversetzt VDI40 DIN 5480 H=100mm

M.T. srl
 Via Casino Albini 480
 Tel. 0541/956034-957884
 Fax 0541/956341
 47842 S. GIOVANNI IN M. (RN)
 e-mail: mtma@mtmarchetti.com
 http://www.mtmarchetti.com



SAU018-3-70-K

Subject to change without notice.