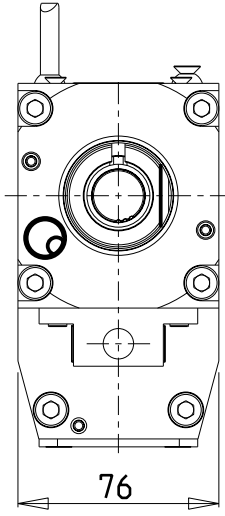
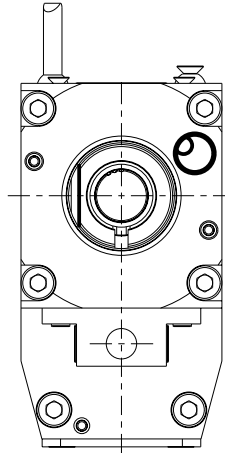


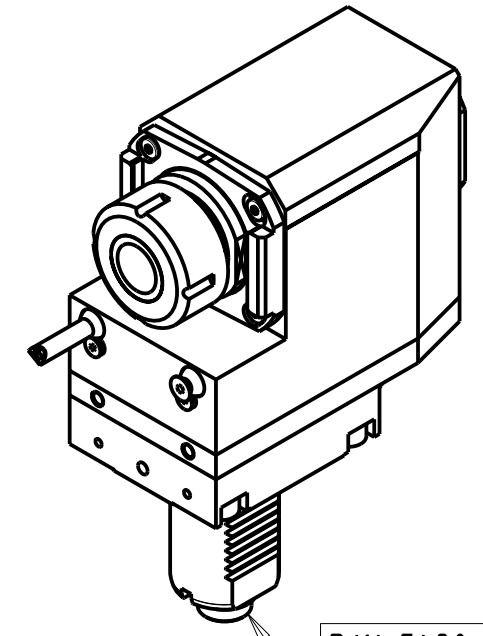
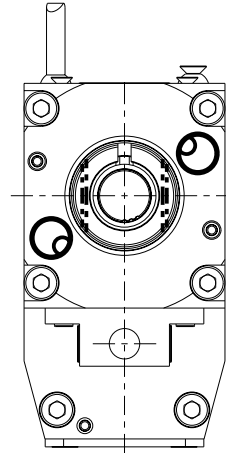
versione dx
right version
version rechts



versione sx
left version
version links



versione universale
universal version
universal version



DIN 5480

- Chiave inclusa
- Key included
- Schlüssel inbegriffen

Cod. MT			Mandrino Spindel Spindel	I (n1:n2)	RPM max n2	Coppia Max Max Torque Max Drehmoment M2 [Nm]	Lubrificazione int. Coolant through Innenkuehlung Pmax [bar]	Lubr.esterna Ext. coolant Aussenkuehlung	Lav. secco Dry-run Trocken Bearb.	A	B	CHIAVI NON INCLUSE Keys not included Schlüssel nicht einbegriffen	
versione dx right version version rechts	versione sx left version version links	versione universale universal version universal version											
SAU0150125	SAU0151125	SAU0152125	ER25	1:1	6000	70	-	X	X	42.66	95	CHSTER25	MNZ0410005
SAU0150225	SAU0151225	SAU0152225	ER25	1:1	6000	70	70	X	-	42.66	108.5	CHSTER25	MNZ0410005
SAU0150132	SAU0151132	SAU0152132	ER32	1:1	6000	70	-	X	X	45.66	95	CHSTER32	MNZ0410005
SAU0150232	SAU0151232	SAU0152232	ER32	1:1	6000	70	100 (diag. 2)	X	X	45.66	108.5	CHSTER32	MNZ0410005

SAUTER
VDI 40
MODULO MOTORIZZATO RADIALE ARRETRATO VDI40 DIN 5480 H=100mm
Radial rear-set driven tool VDI40 DIN 5480 H=100mm
Radial angetriebenes Werkzeug zurueckversetzt VDI40 DIN 5480 H=100mm

M.T. srl
Via Casino Albini 480
Tel. 0541/956034-957884
Fax 0541/956341
47842 S. GIOVANNI IN M. (RN)
e-mail: mtma@mtmarchetti.com
http://www.mtmarchetti.com



SAU018-3-70

Subject to change without notice.