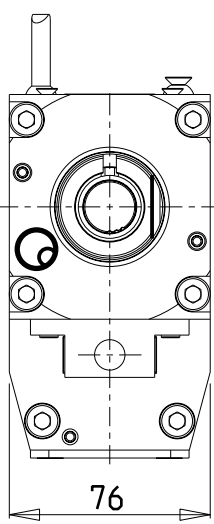
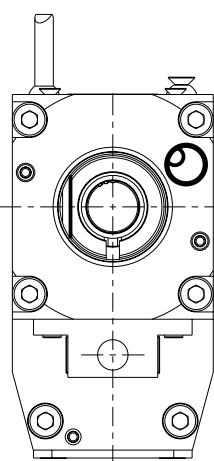


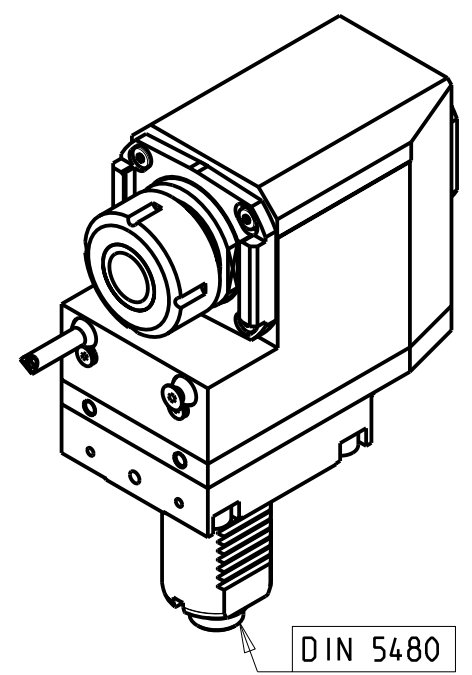
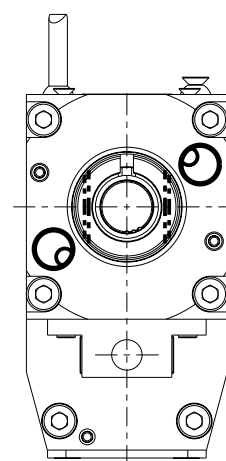
versione dx
right version
version rechts



versione sx
left version
version links



versione universale
universal version
universal version



- Chiave inclusa
- Key included
- Schlüssel einbegriffen

Cod. MT			Mandrino Spindeln Spindel	I (n1:n2)	RPM max n2	Coppia Max Max Torque Max Drehmoment M2 [Nm]	Lubrificazione int. Coolant through Innenkuehlung Pmax [bar]	Lubr.esterna Ext. coolant Aussenkuehlung	Lav. secco Dry-run Trocken Bearb.	A	B	CHIAVI NON INCLUSE Keys not included Schlüssel nicht einbegriffen	
versione dx right version version rechts	versione sx left version version links	versione universale universal version universal version											
SAU0150325	SAU0151325	SAU0152325	ER25	2:1	3000	90	-	X	X	42.66	95	CHSTER25	MNZ0410005
SAU0150425	SAU0151425	SAU0152425	ER25	2:1	3000	90	70	X	-	42.66	108.5	CHSTER25	MNZ0410005
SAU0150332	SAU0151332	SAU0152332	ER32	2:1	3000	90	-	X	X	45.66	95	CHSTER32	MNZ0410005
SAU0150432	SAU0151432	SAU0152432	ER32	2:1	3000	90	100 (diag. 2)	X	X	45.66	108.5	CHSTER32	MNZ0410005

SAUTER
VDI 40
MODULO MOTORIZZATO RADIALE ARRETRATO RIDOTTO I=2:1 VDI40 DIN 5480
Radial geared-down I=2:1 rear-set driven tool VDI40 DIN 5480
Radial angetriebenes Werkzeug zurueckversetzt untersetzt I=2:1 VDI40 DIN 5480

M.T. srl
Via Casino Albini 480
Tel. 0541/956034-957884
Fax 0541/956341
47842 S. GIOVANNI IN M. (RN)
e-mail: mtma@mtmarchetti.com
http://www.mtmarchetti.com



SAU018-3-71

Subject to change without notice.