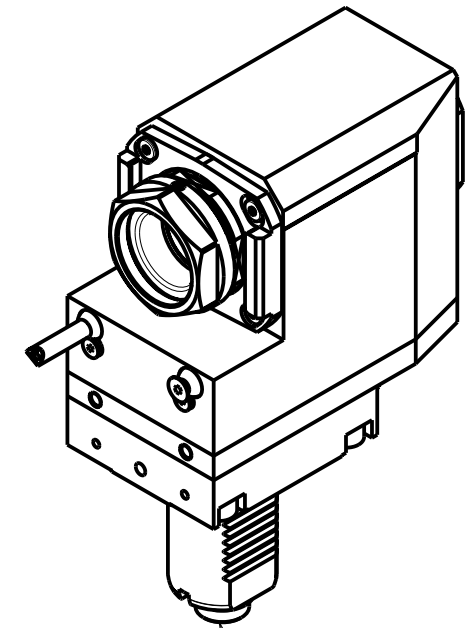
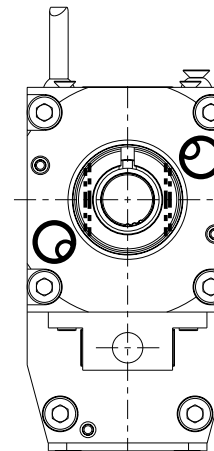
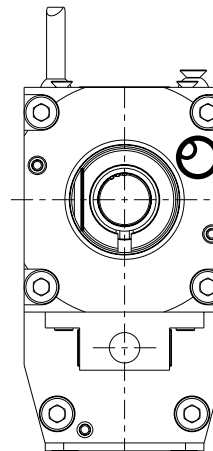
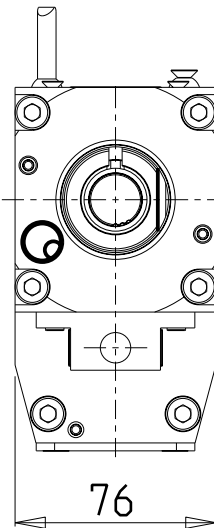


versione dx
right version
version rechts

versione sx
left version
version links

versione universale
universal version
universal version



DIN 5480

PER PORTAUTENSILI MODULARI MTSK-40 VEDI PAG. TBL300-1-40
FOR MTSK-40 QUIK CHANGE TOOLHOLDERS CLAMPINGS SEE PAGE TBL300-1-40
FUER MTSK-40 MODULARE WERKZEUGAUFNAHMEN SIEHE SEITE TBL300-1-40

Cod. MT			Mandrino Spindle Spindel	I (n1:n2)	RPM max n2	Coppia Max Max Torque Max Drehmoment M2 (Nm)	Lubrificazione int. Coolant through Innenkuehlung Pmax (bar)	Lubr.esterna Ext. coolant Aussenkuehlung	Lav. secco Dry-run Trocken Bearb.	B	CHIAVI NON INCLUDE Keys not included Schluessel nicht einbegriffen	
versione dx right version version rechts	versione sx left version version links	versione universale universal version universal version										
SAU0710540	SAU0711540	SAU0712540	MTSK-40	1:2	12000	40	-	X	X	95	CHUB46	MNZ0410005 ■
SAU0710640	SAU0711640	SAU0712640	MTSK-40	1:2	12000	40	70	X	-	108.5	CHUB46	MNZ0410005 ■

- Chiave inclusa
- Key included
- Schluessel inbegriffen

SAUTER
VDI 40

MODULO MOTORIZZATO RADIALE ARRETRATO MTSK MOLTIPLICATO I=1:2 VDI40 DIN 5480
Radial MTSK geared-up I=1:2 rear-set driven tool VDI40 DIN 5480
Radial MTSK angetriebenes Werkzeug zurueckversetzt uebersetzt I=1:2 VDI40 DIN 5480

M.T. srl

Via Casino Albini 480
Tel. 0541/956034-957884
Fax 0541/956341
47842 S. GIOVANNI IN M. (RN)
e-mail: mtma@mtmarchetti.com
http://www.mtmarchetti.com



SAU018-3-72-K

Subject to change without notice.

03/2026