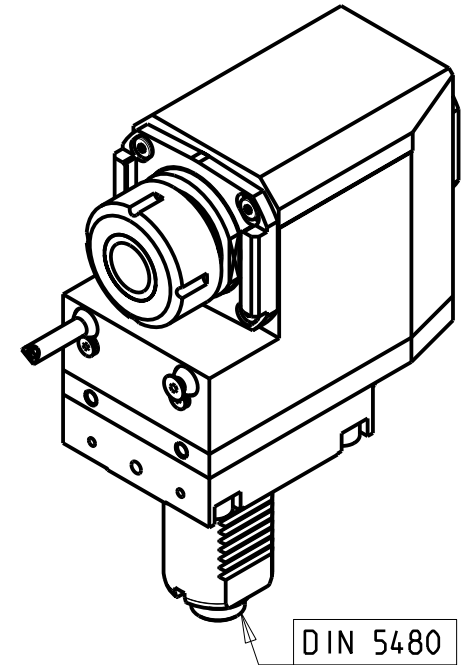
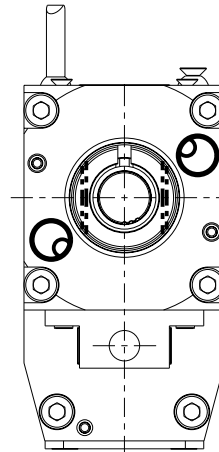
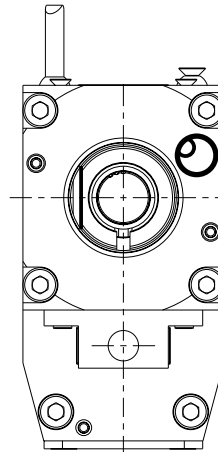
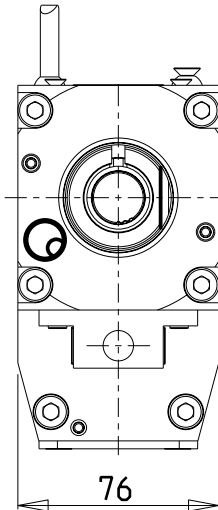


versione dx  
right version  
version rechts

versione sx  
left version  
version links

versione universale  
universal version  
universal version



- Chiave inclusa
- Key included
- Schlüssel inbegriffen

Cod. MT			Mandrino Spindel Spindel	I (n1:n2)	RPM max n2	Coppia Max Max Torque Max Drehmoment M2 [Nm]	Lubrificazione int. Coolant through Innenkuehlung Pmax [bar]	Lubr.esterna Ext. coolant Aussenkuehlung	Lav. secco Dry-run Trocken Bearb.	A	B	CHIAVI NON INCLUSE Keys not included Schlüssel nicht einbegriffen	
versione dx right version version rechts	versione sx left version version links	versione universale universal version universal version										CHSTER	MNZ
SAU0150525	SAU0151525	SAU0152525	ER25	1:2	12000	40	-	X	X	42.66	95	CHSTER25	MNZ0410005
SAU0150625	SAU0151625	SAU0152625	ER25	1:2	12000	40	70	X	-	42.66	108.5	CHSTER25	MNZ0410005
SAU0150532	SAU0151532	SAU0152532	ER32	1:2	12000	40	-	X	X	45.66	95	CHSTER32	MNZ0410005
SAU0150632	SAU0151632	SAU0152632	ER32	1:2	12000	40	100 (diag. 2)	X	X	45.66	108.5	CHSTER32	MNZ0410005

SAUTER  
VDI 40  
MODULO MOTORIZZATO RADIALE ARRETRATO MOLTIPLICATO I=1:2 VDI40 DIN 5480  
Radial geared-up I=1:2 rear-set driven tool VDI40 DIN 5480  
Radial angetriebenes Werkzeug zurueckversetzt uebersetzt I=1:2 VDI40 DIN 5480

**M.T. srl**  
Via Casino Albini 480  
Tel. 0541/956034-957884  
Fax 0541/956341  
47842 S. GIOVANNI IN M. (RN)  
e-mail: mtma@mtmarchetti.com  
http://www.mtmarchetti.com



SAU018-3-72

Subject to change without notice.