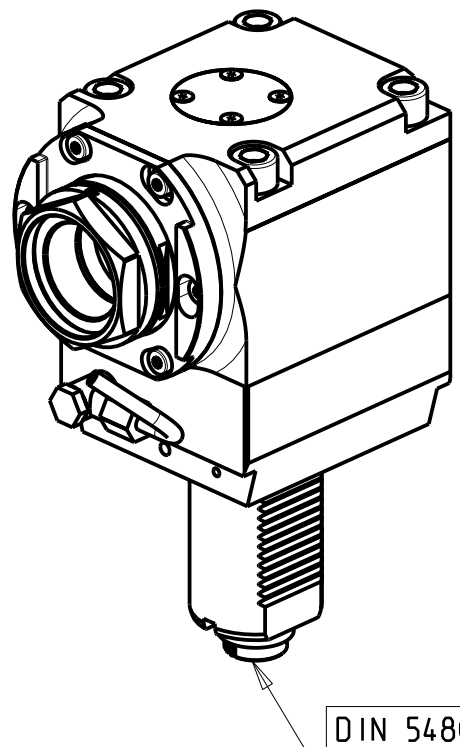
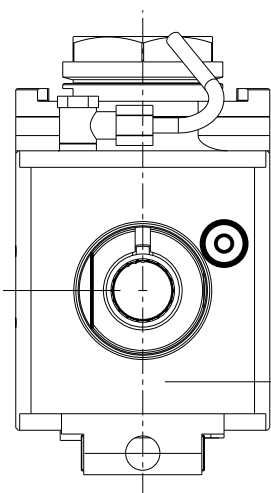
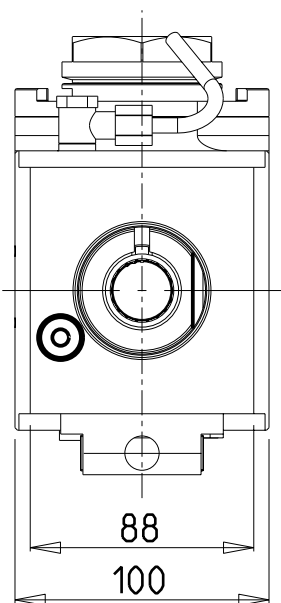


versione dx  
right version  
version rechts

versione sx  
left version  
version links



DIN 5480

PER PORTAUTENSILI MODULARI MTSK-50 VEDI PAG. TBL300-1-50  
 FOR MTSK-50 QUIK CHANGE TOOLHOLDERS CLAMPINGS SEE PAGE TBL300-1-50  
 FUER MTSK-50 MODULARE WERKZEUGAUFNAHMEN SIEHE SEITE TBL300-1-50

Cod. MT		Mandrino Spindle Spindel	I (n1:n2)	RPM max n2	Coppia Max Max Torque Max Drehmoment M2 (Nm)	Lubrificazione int. Coolant through Innenkuehlung Pmax (bar)	Lubr.esterna Ext. coolant Aussenkuehlung	Lav. secco Dry-run Trocken Bearb.	B	CHIAVI NON INCLUDE Keys not included Schlüssel nicht einbegriffen	
versione dx right version version rechts	versione sx left version version links									C HUB55	OKU04 30007 *
SAU0470150	SAU0471150	MTSK-50	1:1	6000	100	-	X	X	58	C HUB55	OKU04 30007 *
SAU0470250	SAU0471250	MTSK-50	1:1	6000	100	100 (diag. 2)	X	X	66.5	C HUB55	OKU04 30007 *

- Chiave inclusa
- Key included
- Schlüssel inbegriffen

SAUTER  
 VDI 50  
 MODULO MOTORIZZATO RADIALE MTSK VDI50 DIN 5480  
 Radial MTSK driven tool VDI50 DIN 5480  
 Radial MTSK angetriebenes Werkzeug VDI50 DIN 5480

**M.T. srl**  
 Via Casino Albini 480  
 Tel. 0541/956034-957884  
 Fax 0541/956341  
 47842 S. GIOVANNI IN M. (RN)  
 e-mail: mtma@mtmarchetti.com  
 http://www.mtmarchetti.com



SAU018-4-00-K

Subject to change without notice.

03/2026