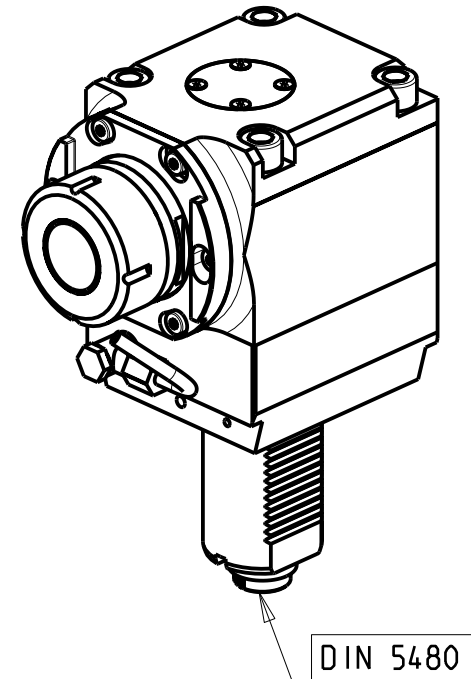
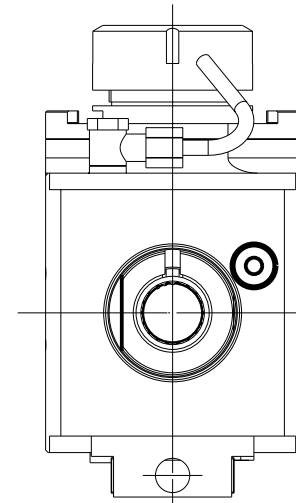
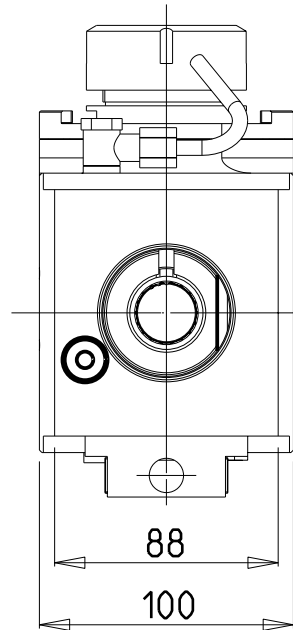


versione dx
right version
version rechts

versione sx
left version
version links



DIN 5480

Cod. MT		Mandrino Spindle Spindel	I (n1:n2)	RPM max n2	Coppia Max Max Torque Max Drehmoment M2 (Nm)	Lubrificazione int. Coolant through Innenkuehlung Pmax (bar)	Lubr.esterna Ext. coolant Aussenkuehlung	Lav. secco Dry-run Trocken Bearb.	B	CHIAVI NON INCLUSE Keys not included Schlüssel nicht einbegriffen	
versione dx right version version rechts	versione sx left version version links									CHSTER40	OKU0430007 *
SAU0490140	SAU0491140	ER40	1:1	6000	100	-	X	X	58	CHSTER40	OKU0430007 *
SAU0490240	SAU0491240	ER40	1:1	6000	100	100 (diag. 2)	X	X	66.5	CHSTER40	OKU0430007 *

- Chiave inclusa
- Key included
- Schlüssel inbegriffen

SAUTER
VDI 50

MODULO MOTORIZZATO RADIALE VDI50 DIN 5480
Radial driven tool VDI50 DIN 5480
Radial angetriebenes Werkzeug VDI50 DIN 5480

M.T. srl

Via Casino Albini 480
Tel. 0541/956034-957884
Fax 0541/956341
47842 S. GIOVANNI IN M. (RN)
e-mail: mtma@mtmarchetti.com
http://www.mtmarchetti.com



SAU018-4-00

Subject to change without notice.

03/2026