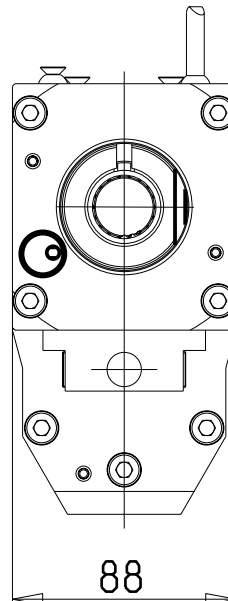
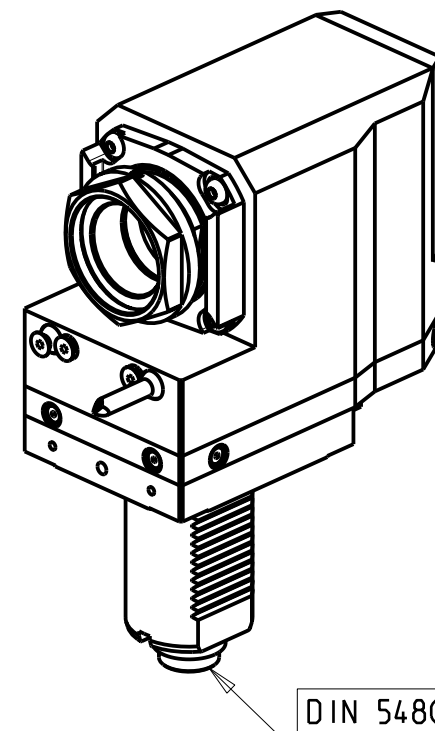
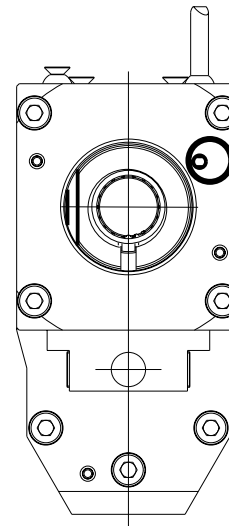


versione dx
right version
version rechts



versione sx
left version
version links



DIN 5480

PER PORTAUTENSILI MODULARI MTSK-50 VEDI PAG. TBL300-1-50
FOR MTSK-50 QUIK CHANGE TOOLHOLDERS CLAMPINGS SEE PAGE TBL300-1-50
FUER MTSK-50 MODULARE WERKZEUGAUFNAHMEN SIEHE SEITE TBL300-1-50

Cod. MT		Mandrino Spindle Spindel	I (n1:n2)	RPM max n2	Coppia Max Max Torque Max Drehmoment M2 (Nm)	Lubrificazione int. Coolant through Innenkuehlung Pmax (bar)	Lubr.esterna Ext. coolant Aussenkuehlung	Lav. secco Dry-run Trocken Bearb.	B	CHIAVI NON INCLUDE Keys not included Schlüssel nicht einbegriffen	
versione dx right version version rechts	versione sx left version version links									C	H
SAU0630150	SAU0631150	MTSK-50	1:1	6000	100	-	X	X	121	C	H
SAU0630250	SAU0631250	MTSK-50	1:1	6000	100	100 (diag. 2)	X	X	135	C	H

- Chiave inclusa
- Key included
- Schlüssel inbegriffen

SAUTER
VDI 50

MODULO MOTORIZZATO RADIALE ARRETRATO MTSK VDI50 DIN 5480
Radial MTSK rear-set driven tool VDI50 DIN 5480
Radial MTSK angetriebenes Werkzeug zurueckversetzt VDI50 DIN 5480

M.T. srl

Via Casino Albini 480
Tel. 0541/956034-957884
Fax 0541/956341
47842 S. GIOVANNI IN M. (RN)
e-mail: mtma@mtmarchetti.com
http://www.mtmarchetti.com



SAU018-4-60-K

Subject to change without notice.

03/2026