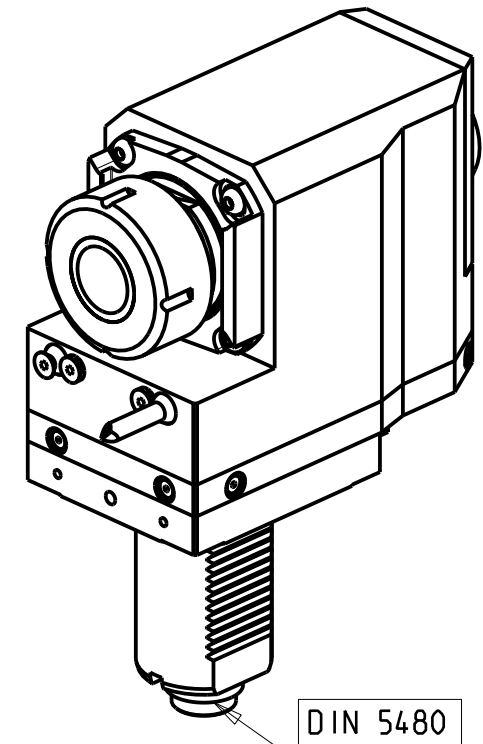
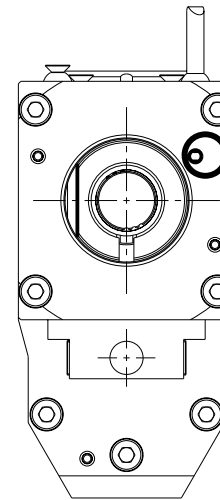
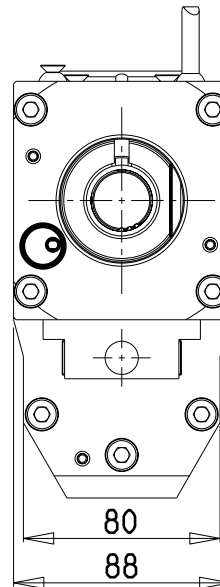


versione dx  
right version  
version rechts

versione sx  
left version  
version links



DIN 5480

Cod. MT		Mandrino Spindle Spindel	I (n1:n2)	RPM max n2	Coppia Max Max Torque Max Drehmoment M2 (Nm)	Lubrificazione int. Coolant through Innenkuehlung Pmax (bar)	Lubr.esterna Ext. coolant Aussenkuehlung	Lav. secco Dry-run Trocken Bearb.	A	A1	B	CHIAVI NON INCLUDE Keys not included Schluessel nicht einbegriffen	
versione dx right version version rechts	versione sx left version version links												
SAU0270140	SAU0271140	ER40	1:1	6000	100	-	X	X	52.66	-	121	OKU0650004 *	CHSTER40
SAU0270240	SAU0271240	ER40	1:1	6000	100	100 (diag. 2)	X	X	52.66	-	135	OKU0650004 *	CHSTER40
SAU0270325	SAU0271325	WELDON25	1:1	6000	100	-	X	X	-	42.5	121	-	-
SAU0270425	SAU0271425	WELDON25	1:1	6000	100	100 (diag. 2)	X	X	-	42.5	135	-	-

- Chiave inclusa
- Key included
- Schluessel inbegriffen

SAUTER  
VDI 50

MODULO MOTORIZZATO RADIALE ARRETRATO VDI50 DIN 5480  
Radial rear-set driven tool VDI50 DIN 5480  
Radial angetriebenes Werkzeug zurueckversetzt VDI50 DIN 5480

**M.T. srl**

Via Casino Albini 480  
Tel. 0541/956034-957884  
Fax 0541/956341  
47842 S. GIOVANNI IN M. (RN)  
e-mail: mtma@mtmarchetti.com  
http://www.mtmarchetti.com



SAU018-4-60

Subject to change without notice.

03/2026