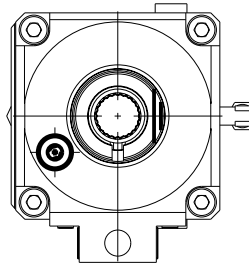
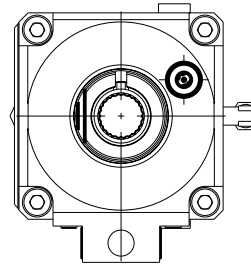


versione dx  
right version  
version rechts

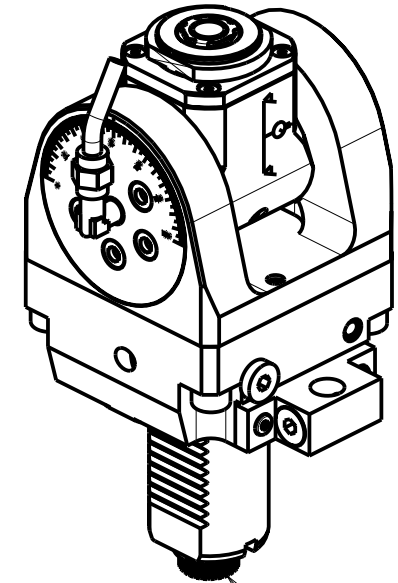


versione sx  
left version  
version links



### ATTENZIONE - ATTENTION - ACHTUNG

- Per lo smontaggio degli utensili utilizzare sempre la chiave di contrasto come indicato nel manuale d'uso.
- For disassembly of the tools use always the contrast key as mentioned in the user instructions.
- Fuer das Abmontieren der Werkzeuge immer den Gegenschlüssel benutzen wie in der Bedienungsanleitung erwäehnt.



DIN 5480

Cod. MT		Mandrino Spindle Spindel	i (n1:n2)	RPM max n2	Coppia Max Max Torque Max Drehmoment M2 (Nm)	Lubrificazione int. Coolant through Innenkuehlung Pmax (bar)	Lubr.esterna Ext. coolant Aussenkuehlung	Lav. secco Dry-run Trocken Bearb.	CHIAVI INCLUSE Keys included Schlüssel inbegriffen		
versione dx right version version rechts	versione sx left version version links								CHUB19_SP3	CHUB32	CHTAER16ZC
SAU0750316	SAU0751316	ERA16	1:2	12000	8	-	X	X	CHUB19_SP3	CHUB32	CHTAER16ZC
SAU0750416	SAU0751416	ERA16	1:2	12000	8	70	X	-	CHUB19_SP3	CHUB32	CHTAER16ZC

SAUTER  
VDI 40

MODULO MOTORIZZATO ORIENTABILE ±90° MOLTIPLICATO i=1:2 VDI40 DIN 5480  
±90° adjustable angle driven tool geared-up i=1:2 VDI40 DIN 5480  
Angetriebenes Werkzeug schwenkbar ±90° uebersetzt i=1:2 VDI40 DIN 5480

Subject to change without notice.

**M.T. srl**

Via Casino Albini 480  
Tel. 0541/956034-957884  
Fax 0541/956341  
47842 S. GIOVANNI IN M. (RN)  
e-mail: mtma@mtmarchetti.com  
<http://www.mtmarchetti.com>



SAU019-3-80