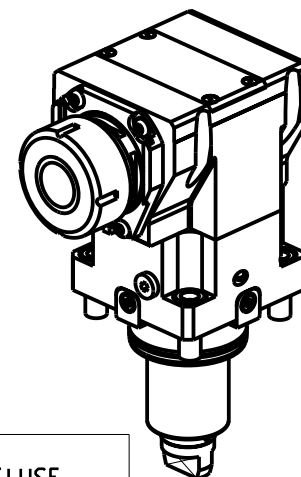


### ATTENZIONE - ATTENTION - ACHTUNG

- VERIFICARE LE MISURE DI INGOMBRO PER POSSIBILE INTERFERENZA SU ALCUNI MODELLI DI MACCHINE
- Please check the overall sizes for possible interferences on some machine models
- Bitte überprüfen sie das ausmass um mögliche interferenzen auf einigen maschinen modellen zu vermeiden



# ATTENZIONE: Non si monta su macchina VTURN-S26 CM

# WARNING: This tool can not be mounted on VTURN-S26 CM

# ACHTUNG: Werkzeug darf nicht auf VTURN-S26 CM montiert werden

• Chiave inclusa

• Key included

• Schlüssel inbegriffen

| Cod. MT       | Mandrino Spindel Spindel | I   | RPM  | Coppia Max Max Torque Max Drehmoment | Reversibile lato mandrino/contromandrino Reversible sub/main spindle side Umkehrbare Spindel-seite/ Gegenspindel-seite | Lubr.interna Coolant through Innenkuehlung | Lubr.esterna Ext. coolant Aussenkuehlung | A     | A1  | B    | CHIAVI NON INCLUSE Keys not included Schuessel nicht einbegriffen |          |
|---------------|--------------------------|-----|------|--------------------------------------|--|--|--|-------|-----|------|---|----------|
| DW 02360132   | ER32                     | 2:1 | 3000 | 130Nm                                | X  | -  | X  | 98.7  | -   | 53   | OKU0650004  | CHSTER32 |
| # DW 02360232 | ER32                     | 2:1 | 3000 | 130Nm                                | X  | P=70bar                                    | X  | 98.7  | -   | 66.5 | OKU0650004  | CHSTER32 |
| DW 02360140   | ER40                     | 2:1 | 3000 | 130Nm                                | X  | -  | X  | 101.7 | -   | 53   | OKU0650004  | CHSTER40 |
| # DW 02360240 | ER40                     | 2:1 | 3000 | 130Nm                                | X  | P=70bar                                    | X  | 101.7 | -   | 66.5 | OKU0650004  | CHSTER40 |
| DW 02360725   | WELDON 25                | 2:1 | 3000 | 130Nm                                | X  | -  | X  | -     | 106 | 53   | -   | -        |
| # DW 02360825 | WELDON 25                | 2:1 | 3000 | 130Nm                                | X  | P=70bar                                    | X  | -     | 106 | 66.5 | -   | -        |

VICTOR

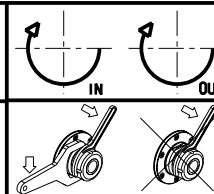
MOD: VTURN-A26 CM/SCM/YCM/YSCM - VTURN-S26 CM

MODULO MOTORIZZATO ASSIALE RIDOTTO I=2:1 H=100mm

Axial geared-down I=2:1 driven tool H=100mm

Axial angetriebenes Werkzeug untersetzt I=2:1 H=100mm

Subject to change without notice.



M.T. srl

Via Casino Albini 480

Tel. 0541/956034-957884

Fax 0541/956341

47842 S. GIOVANNI IN M. (RN)

e-mail: mtma@mtmarchetti.com

http://www.mtmarchetti.com



VCT190-2-30